

GENERAL DESCRIPTION / APPLICATIONS

DIMENSIONS mm



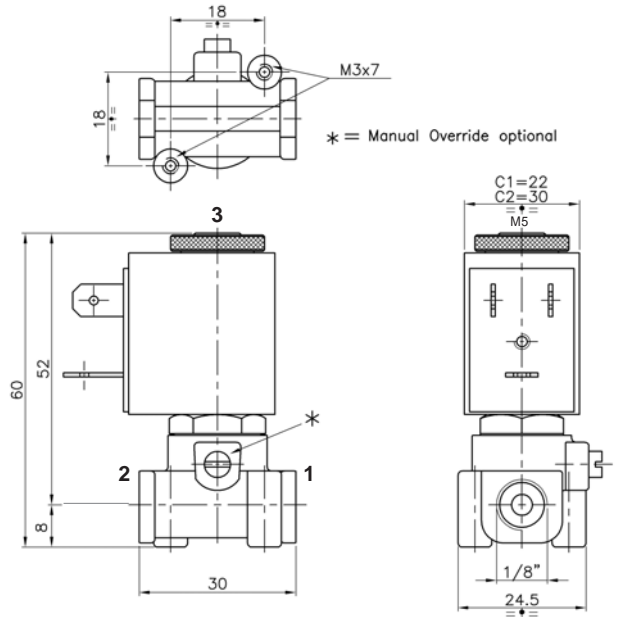
Three way direct acting solenoid valve with spring return, normally open.

Suitable for gaseous and liquid media compatible with the used material (body/seals), vacuum.

Forged brass body.
Brass guide tube.
Stainless steel internal parts.
Stainless steel springs.

Solenoid can be rotated 360°.

Valve will operate in any position.

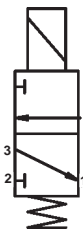


ELETTTRICAL INFORMATIONS

Continuous duty glass-reinforced nylon moulded coil with electrical connection suitable for DIN-43650 plug (2 poles+ground) or faston wire terminal . Two cables available on request.

Coil type:	C1
Insulation class:	F (155°C), H (180°C) on request.
Winding wire class:	H (180°C)
Protection class:	Waterproof IP-65 (norme EN60529) when properly plug conncteted when DIN-43650 plug.
Duty:	Continuous (S.I.) 100% ED
Power consumption:	Alternate Current 8VA (inrush 12VA) Direct Current 5,5W
Voltage tollerance:	a.c. +10% ÷ -15%, d.c. +10% ÷ -5%
Electrical Insulation:	>500 MOhm
Dielectrical Strenght:	>2000 V/1'
Standard voltage:	d.c. 12, 24 Volt a.c. 24, 110, 230 Volt (50/60 Hz) other voltages available on request.

OPERATION



Normally open

In :	3
Out :	1
Vent :	2
Coil de-energised :	From 3 to 1 Vent 2 closed Input 3 closed
Coil energised :	Input 3 closed From 1 to vent 2

SPECIFICATIONS AND AVAILABLE OPTIONS

MODEL						ORIFICE mm		BODY RATING MAX.	PRESSURES IN BAR MIN. / MAX. DIFFERENZIAL PRESSURES			Flow factor kv (liters/min.')	Weight Kg
a	b	c	d	e	f	Body	Port 3		MIN.	MAX. AC-	MAX. DC=		
C	01	B	12	S		1,2	1,2	12	0	12	12	0,65	0,14
C	01	B	15	S		1,5	1,5	10	0	10	10	1	0,14
C	01	B	17	S		1,9	1,7	8	0	8	8	1,5	0,14

a	b	c	d	e	f
Construction	Valve type	Port size G	Seals material	Body material	Optional feature
A AC C DC	C 3 way	B 2 and 1 : 1/8" GAS 3 : M5	B NBR V VITON E EPDM	T Brass N Nickel-plated brass	M Manual override SG Clean for oxigene I Stainless steel guide tube