

DESCRIPTION

DIMENSIONS mm



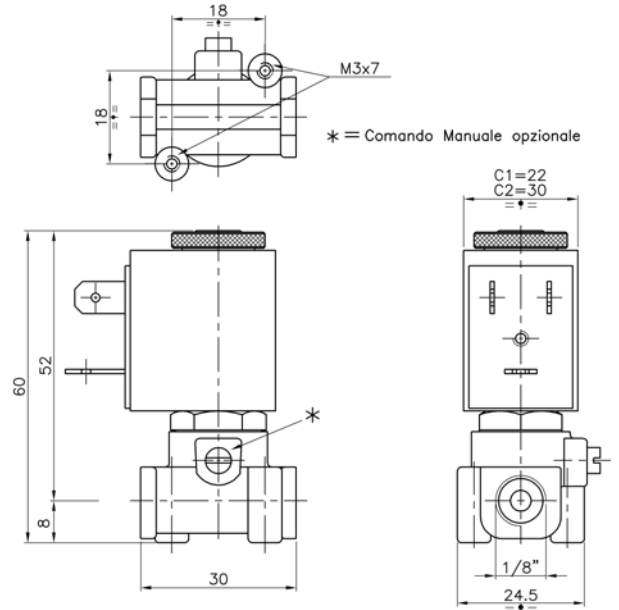
Two way direct acting solenoid valve with spring return, normally close.

Suitable for gaseous and liquid media compatible with the used material (body/seals), vacuum.

Forged brass body.
Brass guide tube.
Stainless steel internal parts.
Stainless steel springs.

Solenoid can be rotated 360°.

Valve will operate in any position.



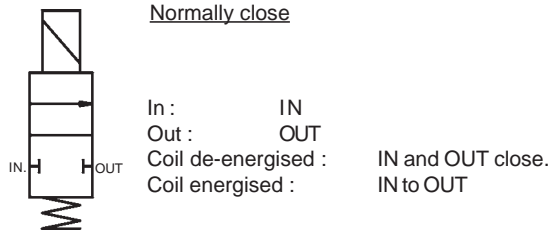
ELETTTRICAL INFORMATION

Continuous duty glass-reinforced nylon moulded coil with electrical connection suitable for DIN-43650 plug (2 poles+ground) or faston wire terminal. Two cables available on request.

Coil type:	C1
Insulation class:	F (155°C), H (180°C) on request.
Winding wire class:	H (180°C)
Protection class:	Waterproof IP-65 (norme EN60529) when properly plug conncteted when DIN-43650 plug.
Duty:	Continuous (S.I.) 100% ED
Power consumption:	Alternate Current 8VA (spunto 12VA) Direct Current 5,5W
Voltage tolerance:	a.c. +10% ÷ -15%, d.c. +10% ÷ -5%
Electrical Insulation:	>500 MOhm
Dielectrical Strenght:	>2000 V/1'
Standard voltage:	d.c. 12, 24 Volt a.c. 24, 110, 230 Volt (50/60 Hz) other voltages available on request.

Coil type C2 for higher performance or lower consumption on request.

OPERATION



SPECIFICATIONS AND AVAILABLE OPTIONS

MODEL			ORIFICE mm	BODY RATING MAX.	PRESSURES IN BAR MIN. / MAX. DIFFERENZIAL PRESSURES			Flow factor kv (l/min.)	Weight Kg
a	b	c d e f			MIN.	MAX. AC~	MAX. DC=		
L	01 B	12	1,2	25	0	25	25	0,65	0,14
L	01 B	15	1,5	25	0	16	16	1	0,14
L	01 B	20	2,0	25	0	12	10	1,5	0,14
L	01 B	25	2,5	25	0	10	5,5	2,3	0,14
L	01 B	31	3,1	25	0	6	2	3,1	0,14

a	b	c	d	e	f
Construction	Valve type	Port size	Seals material	Body material	Optional feature
A AC C DC B Latching pilot * <i>* Available only on request</i>	L 2 way	B 1/8" GAS	B NBR V VITON E EPDM W EPM WT PX * <i>* KTW certified for food</i>	T Brass N Nickel-plated brass	M Manual override SG Clean for oxigene I Stainless steel tube